

Specifications

Models	SLA-5		SLA-10		SLA-15		SLA-20		SLA-25	
Measurements	Metric	US	Metric	US	Metric	US	Metric	US	Metric	US
Working height:										
standard forks - down	1.49 m	4 ft 10.5 in	2.97 m	9 ft 9 in	4.46 m	14 ft 7.5 in	5.94 m	19 ft 6 in	7.42 m	24 ft 4 in
standard forks - up	2.0 m	6 ft 7 in	3.49 m	11 ft 5.5 in	4.98 m	16 ft 4 in	6.46 m	21 ft 2.5 in	7.94 m	26 ft 0.5 in
adjustable forks - down	1.49 m	4 ft 10.5 in	2.97 m	9 ft 9 in	4.46 m	14 ft 7.5 in	5.94 m	19 ft 6 in	7.42 m	24 ft 4 in
adjustable forks - up	2.0 m	6 ft 7 in	3.49 m	11 ft 5.5 in	4.98 m	16 ft 4 in	6.46 m	21 ft 2.5 in	7.94 m	26 ft 0.5 in
flat forks	1.49 m	4 ft 10.5 in	2.97 m	9 ft 9 in	4.46 m	14 ft 7.5 in	—	—	—	—
boom***	1.79 m	5 ft 10.5 in	3.28 m	10 ft 9 in	4.76 m	15 ft 7.5 in	6.25 m	20 ft 6 in	7.42 m	24 ft 4 in
load platform** - forks down	1.49 m	4 ft 10.5 in	2.97 m	9 ft 9 in	4.46 m	14 ft 7.5 in	5.94 m	19 ft 6 in	7.42 m	24 ft 4 in
load platform** - forks up	2.0 m	6 ft 7 in	3.49 m	11 ft 5.5 in	4.98 m	16 ft 4 in	6.46 m	21 ft 2.5 in	7.94 m	26 ft .5 in
A Height - stowed	2.0 m	6 ft 6.5 in	2.0 m	6 ft 6.5 in	2.0 m	6 ft 6.5 in	2.0 m	6 ft 6.5 in	2.0 m	6 ft 6.5 in
A Length - stowed	74 cm	2 ft 5 in	74 cm	2 ft 5 in	74 cm	2 ft 5 in	74 cm	2 ft 5 in	79 cm	2 ft 7 in
A Length - operating	1.51 m	4 ft 11.5 in	1.51 m	4 ft 11.5 in	1.88 m	6 ft 2 in	2.08 m	6 ft 10 in	2.08 m	6 ft 10 in
A Width - stowed*	80 cm	2 ft 7.5 in	80 cm	2 ft 7.5 in	80 cm	2 ft 7.5 in	80 cm	2 ft 7.5 in	80 cm	2 ft 7.5 in
- with stabilizers lowered	1.85 m	6 ft 1 in	1.85 m	6 ft 1 in	1.85 m	6 ft 1 in	1.85 m	6 ft 1 in	1.85 m	6 ft 1 in
Width - straddle base*										
minimum	80 cm	2 ft 7.5 in	80 cm	2 ft 7.5 in	80 cm	2 ft 7.5 in	—	—	—	—
maximum	1.47 m	4 ft 10 in	1.47 m	4 ft 10 in	1.47 m	4 ft 10 in	—	—	—	—
maximum inside	1.27 m	4 ft 2 in	1.27 m	4 ft 2 in	1.27 m	4 ft 2 in	—	—	—	—
A Ground clearance - center	5 cm	2 in	5 cm	2 in	5 cm	2 in	5 cm	2 in	5 cm	2 in
A Load height minimum	15 cm	6 in	15 cm	6 in	15 cm	6 in	15 cm	6 in	15 cm	6 in
Front casters	10 cm	4 in	10 cm	4 in	10 cm	4 in	10 cm	4 in	10 cm	4 in
Rear casters	13 cm	5 in	13 cm	5 in	13 cm	5 in	13 cm	5 in	13 cm	5 in

Productivity

Load capacity:

46 cm (18 in) load center	454 kg	1,000 lbs	454 kg	1,000 lbs	363 kg	800 lbs	363 kg	800 lbs	295 kg	650 lbs
61 cm (24 in) load center	454 kg	1,000 lbs	454 kg	1,000 lbs	363 kg	800 lbs	272 kg	600 lbs	204 kg	450 lbs
107 cm (42 in) load center	159 kg	350 lbs	181 kg	400 lbs	227 kg	500 lbs	159 kg	350 lbs	113 kg	250 lbs

Power

Average cranks:

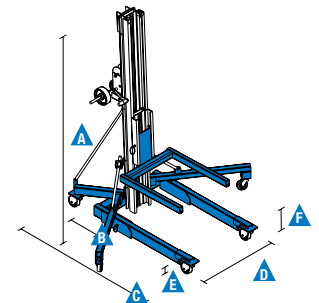
standard winch	27.8 cranks/m 8.5 cranks/ft	27.8 cranks/m 8.5 cranks/ft	27.8 cranks/m 8.5 cranks/ft	27.8 cranks/m 8.5 cranks/ft	27.8 cranks/m 8.5 cranks/ft
----------------	-----------------------------	-----------------------------	-----------------------------	-----------------------------	-----------------------------

Weight

Standard	98 kg	215 lbs	118 kg	260 lbs	151 kg	333 lbs	184 kg	405 lbs	204 kg	450 lbs
Straddle base	117 kg	258 lbs	137 kg	303 lbs	163 kg	360 lbs	—	—	—	—

Load Handling Attachments

Measurements	Metric	US	Weight - Metric	Weight - US
Standard forks (l/w/d)****	69/58/6 cm	27/23/2.5 in	18 kg	38.9 lbs
Adjustable forks (l/w/d)****	70/30-76/6 cm	27.5/12-30/2.5 in	24 kg	52.5 lbs
Fork extensions detached (each) (l/w/d)****	76/5/8 cm	30/2/3 in	2 kg	4.5 lbs
Fork extensions attached (each) (l/w/d)****	64/5/8 cm	25/2/3 in	2 kg	4.5 lbs
Flat forks (l/w/d)****	81/41-79/3.8 cm	32/16-31/1.5 in	36 kg	80.1 lbs
Boom (l/w/d)****	46-107/4/16.5 cm	18-42/1.5/6.5 in	39.9 lbs	18 kg
Load platform (l/w/d)****	70/58/7 cm	27.5/23/2.75 in	14 kg	31.5 lbs



Standards Compliance

EU Directive: 2006/42/EC (Machinery)

* Outside dimensions.

** For use with standard and adjustable forks only.

*** Measured from ground to bottom of shackle.

**** Length/width/depth.

Features

Standard Features

Measurements

SLA™-5

- 2.0 m (6 ft 7 in) maximum lifting height
- Up to 454 kg (1,000 lbs) load capacity

SLA-10

- 3.49 m (11 ft 5.5 in) maximum lifting height
- Up to 454 kg (1,000 lbs) load capacity

SLA-15

- 4.98 m (16 ft 4 in) maximum lifting height
- Up to 363 kg (800 lbs) load capacity

SLA-20

- 6.46 m (21 ft 2.5 in) maximum lifting height
- Up to 363 kg (800 lbs) load capacity

SLA-25

- 7.94 m (26 ft 0.5 in) maximum lifting height
- Up to 295 kg (650 lbs) load capacity

Productivity

- Heavy-duty design
- Patented telescoping mast system with mast brake
- Captive stabilizer set (standard on SLA-20, -25, not available on straddle base)
- Rolls easily through single door in upright position
- Quick set up requires no tools
- Interchangeable load handling attachments
- Maneuverable casters
- Compact design, legs fold up for easy storage
- Roller wheels allow easy transport in stowed position
- Easy to load and unload on or off a vehicle for transport
- Hold-down bar secures mast assembly during transport

Power

- One speed manual winch

Easily Configured To Meet Your Needs

Productivity & Fork Options

- Standard forks
- Adjustable forks
- Fork extensions
- Flat forks (SLA-5, -10, -15 only)
- Boom
- Pipe cradle⁽¹⁾
- Load platform

Power Options

- One speed manual winch (standard)
- Two-speed manual winch⁽¹⁾

Base Options

- Standard base
- Straddle base (SLA-5, -10, -15 only)
- Standard mast brake
- Stabilizer set (standard on SLA-20, -25, not available on straddle base)

Casters

- Front swivel casters, 10 cm (4 in), non-marking (standard)
- Rear swivel casters, 13 cm (5 in), non-marking (standard)
- 4-way swivel locks and side brakes (standard)

Options & Accessories

Productivity

- Adjustable forks
- Fork extensions
- Flat forks (SLA-5, -10, -15 only)
- Boom
- Pipe cradle⁽¹⁾
- Load platform
- Pneumatic rear transport wheel assembly
- Captive stabilizer set (option on SLA-5, -10, -15, not available on straddle base)

Power

- Two-speed manual winch⁽¹⁾



⁽¹⁾ Available aftermarket only

07/15 Part No. B109381UK

Worldwide Manufacturing And Distribution

Australia · Brazil · Caribbean · Central America · China · France · Germany · Italy · Japan · Korea · Mexico · Russia · Southeast Asia · Spain · Sweden · United Arab Emirates · United Kingdom · United States

Product specifications and prices are subject to change without notice or obligation. The photographs and/or drawings in this document are for illustrative purposes only. Refer to the appropriate Operator's Manual for instructions on the proper use of this equipment. Failure to follow the appropriate Operator's Manual when using our equipment or to otherwise act irresponsibly may result in serious injury or death. The only warranty applicable to our equipment is the standard written warranty applicable to the particular product and sale and we make no other warranty, express or implied. Products and services listed maybe trademarks, service marks or trade names of Terex Corporation and/or their subsidiaries in the USA and many other countries. Genie is a registered trademark of Terex South Dakota, Inc. © 2015 Terex Corporation.